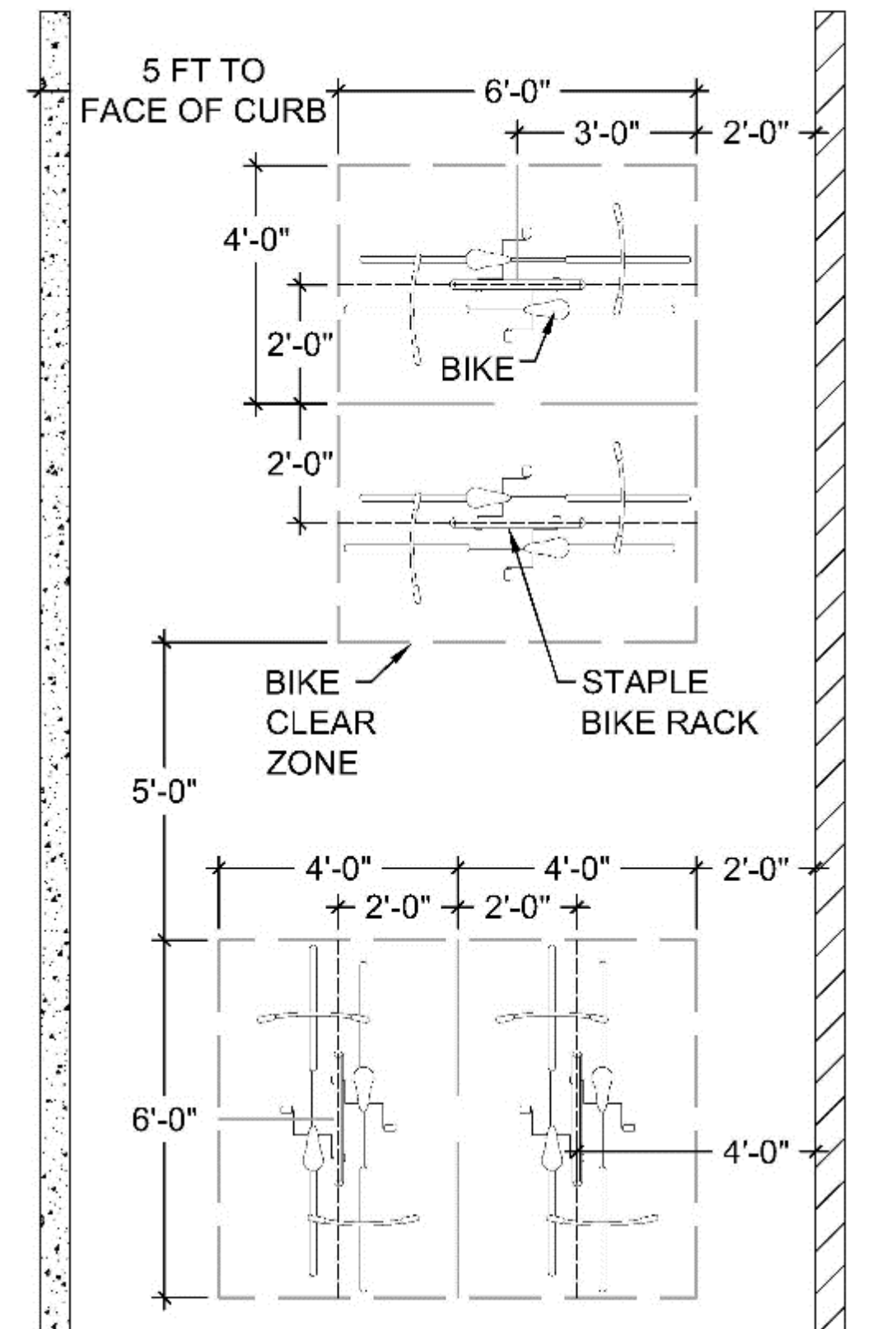
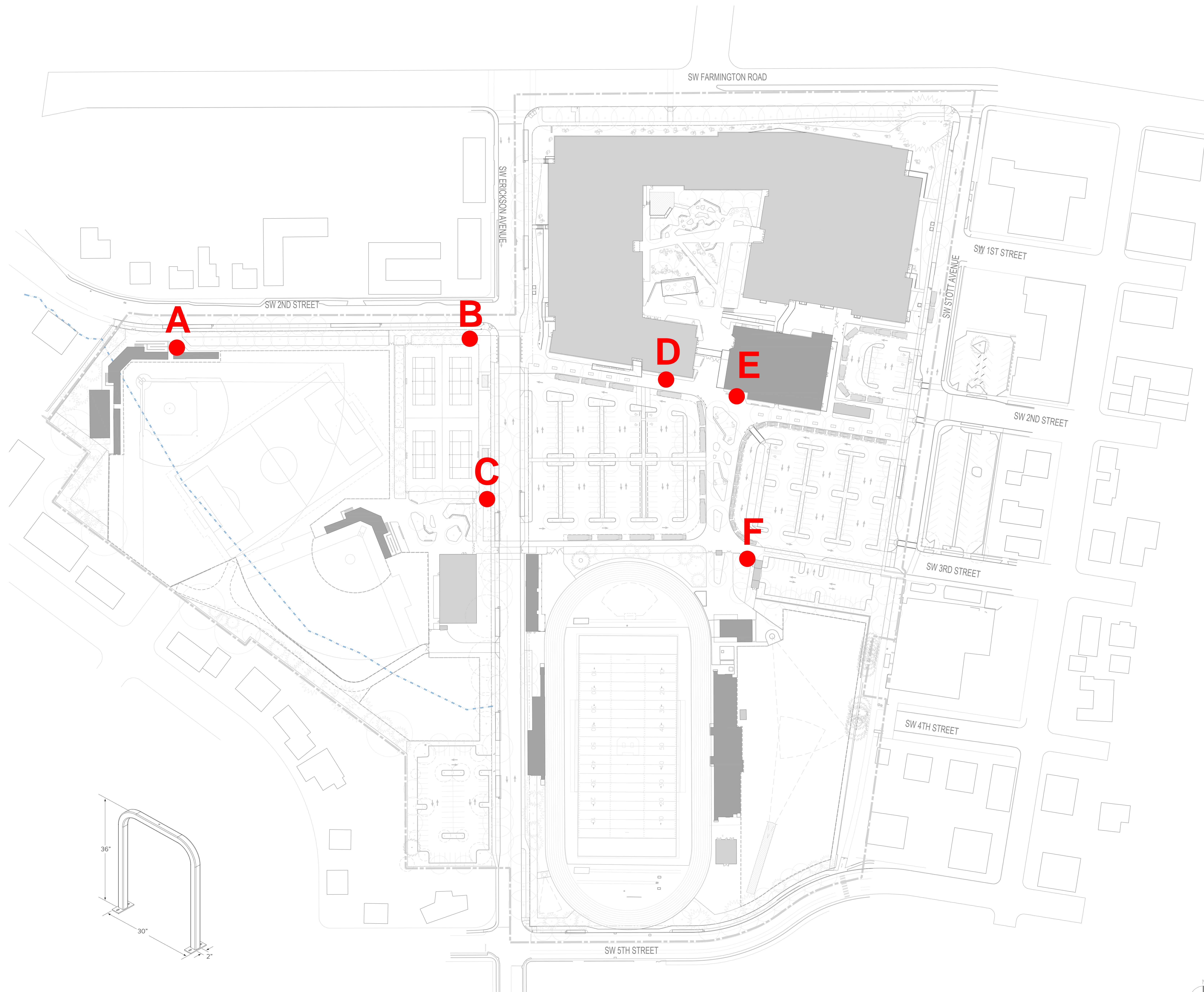


Figure 340.1 – Bicycle Parking Design

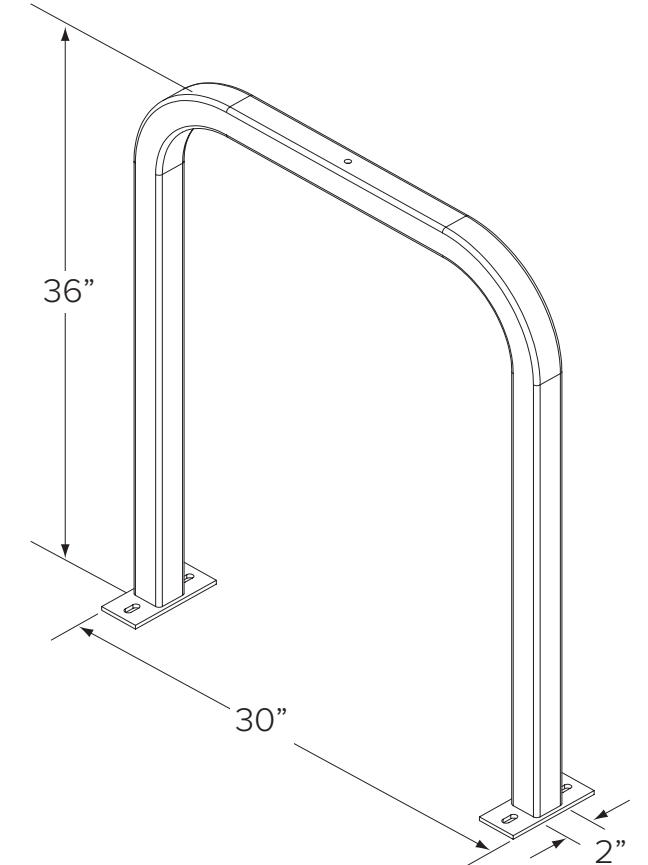


- STAPLE BIKE RACK INSTALLATION DIMENSIONS**
- BIKE RACK INSTALLATIONS SHALL IDEALLY HAVE A 3.00' BY 8.00' CLEAR ZONE SURROUNDING EACH INDIVIDUAL RACK. THE MINIMUM ALLOWABLE CLEAR ZONE FOR A BIKE RACK IS 2.00' BY 6.00'.
  - WHEN INSTALLING MULTIPLE BIKE RACKS THE SAME GUIDANCE SHOULD BE FOLLOWED WITH A 4.00' IDEAL AND 3.00' MINIMUM SPACING BETWEEN BIKE RACKS.

TYPICAL BIKE RACK LAYOUT  
REFER TO EXHIBIT A, SITE PLAN FOR LAYOUT

# BIKE PARKING

- 114 BIKE SPACES PROVIDED**
- A BASEBALL FIELD**  
7 RACKS (14 SPACES)
  - B TENNIS COURTS**  
7 RACKS (14 SPACES)
  - C SOFTBALL FIELD**  
5 RACKS (10 SPACES)
  - D MAIN ENTRY**  
14 RACKS (28 SPACES)
  - E CAFETERIA/ENTRY**  
17 RACKS (34 SPACES)
  - F TRACK/STADIUM**  
7 RACKS (14 SPACES)



TYPICAL BIKE RACK DIMENSIONS  
REFER TO EXHIBIT O FOR CUT SHEET

